



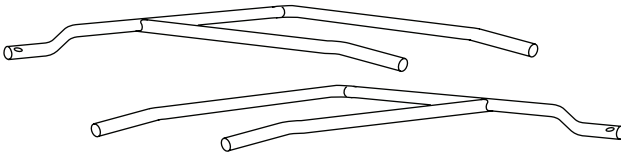
Assembly Instructions

**CHALLENGER MODEL 1800
PLASTIC MULCH LIFTER**

STEP 1



Standard Parts Shipped With Equipment:

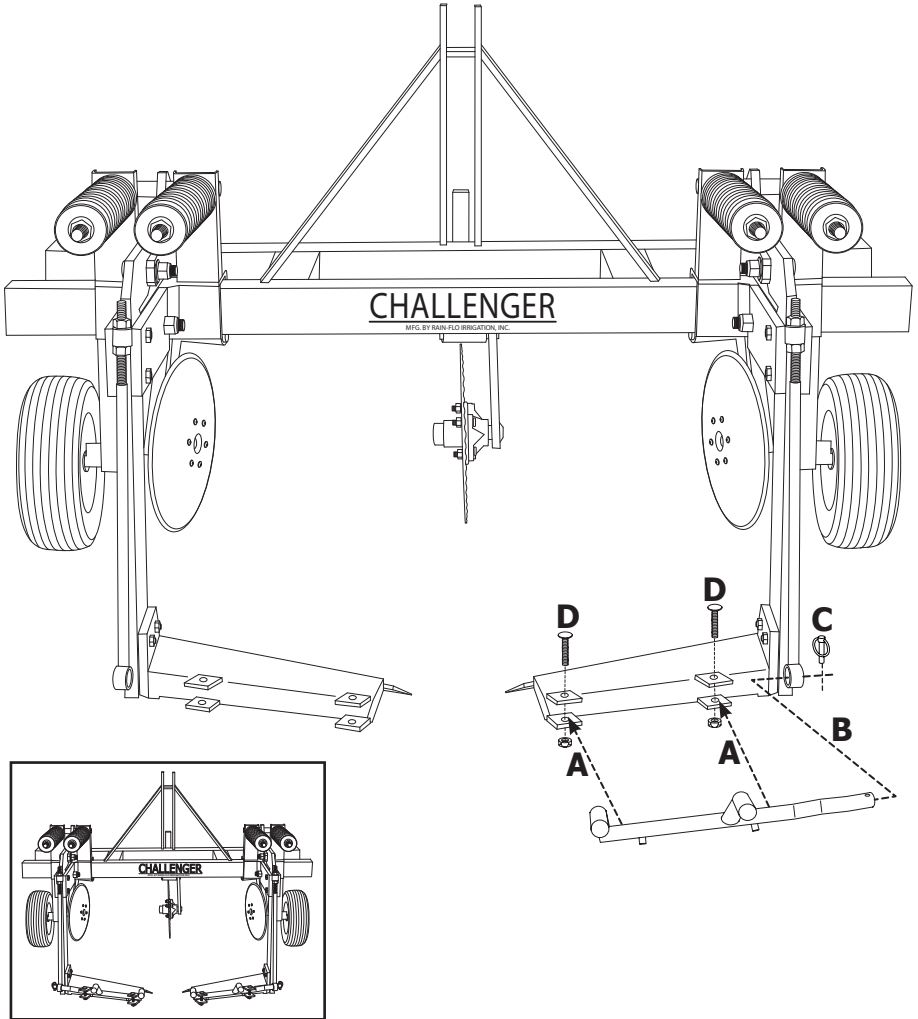


Lifter Prong Set

STEP 2

INSTALLING LIFTING PRONGS

See Operating Manual For Adjustments



Install lifting prongs by sliding end through adjusting rod (**B**), placing them between the brackets (**A**), and placing lynch pin in position (**C**). Insert bolts through holes and tighten nut (**D**).

STEP 3

MOVING DEPTH WHEELS & DISCS SIDWAYS *See Operating Manual for More Adjustments*



Depth Wheels and Vine-Cutting Disc In and Out Adjustment

When you receive your plastic mulch lifter, depth wheels and vine-cutting discs will be installed but will need adjustments.

Depth wheels are slid toward the center for shipping. To adjust, loosen bolts shown above, slide into desired place and re-tighten bolts. If discs need to be adjusted, follow the same steps as shown above.

Set discs in line to cut with outside edge of plow shank; about 2" to 3" deep.

Note: Setting disks too deep will keep machine from going down deep enough.

STEP 4

MOVING DEPTH WHEELS AND DISCS UP & DOWN *See Operating Manual for More Adjustment*



**Center Coulter
Up & Down
Adjustment**

**Disc
Up & Down
Adjustment**

**Depth Wheels
Up & Down
Adjustment**

As shown in the Operating Manual; coulter, disc and wheels may need up & down adjustments. To do this, loosen bolts shown above, slide into desired place and re-tighten bolts.

The center coulter is to cut plastic in half for better removal. When not needed, it can be removed by loosening bolt shown above and sliding the assembly downward.

STEP 5

TRACTOR HOOK-UP



The Model 1800 has Cat II lift pins on a 3-point hitch. Hook up 3-point top link to top of A-frame (**A**) and adjust top link to level machine.



TIPS

- 1 Machine works best if weeds and crop residue are mowed off first.
- 2 Adjust 3-point top link to level machine.
- 3 Drive about 2 to 4 MPH and adjust lifting rods 8" to 12" off the ground (must be lowered if dragging results).
- 4 Adjust depth control wheels so machine lifting plows run approx. 6" below plastic.
- 5 Adjust inside of shanks approximately 2" narrower than original plastic width. (not bed top width)
- 6 After plastic is lifted, it is advisable to gather it up before it rains.

~2021 Edition~

**Rain-Flo Irrigation
(717) 445-3000**