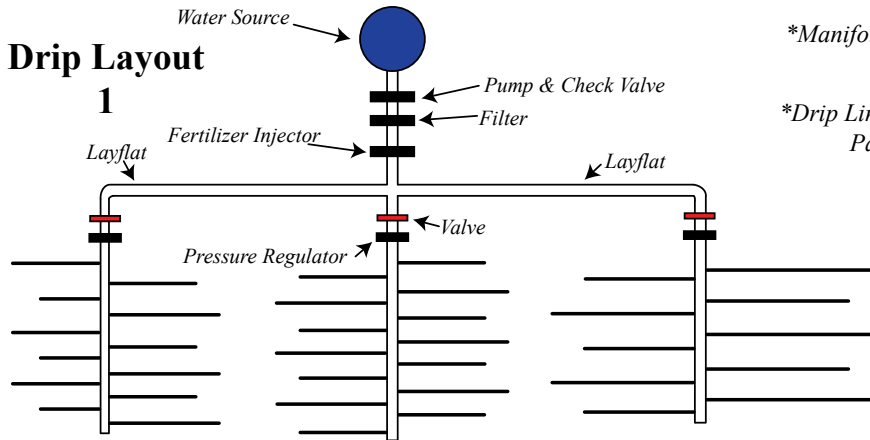


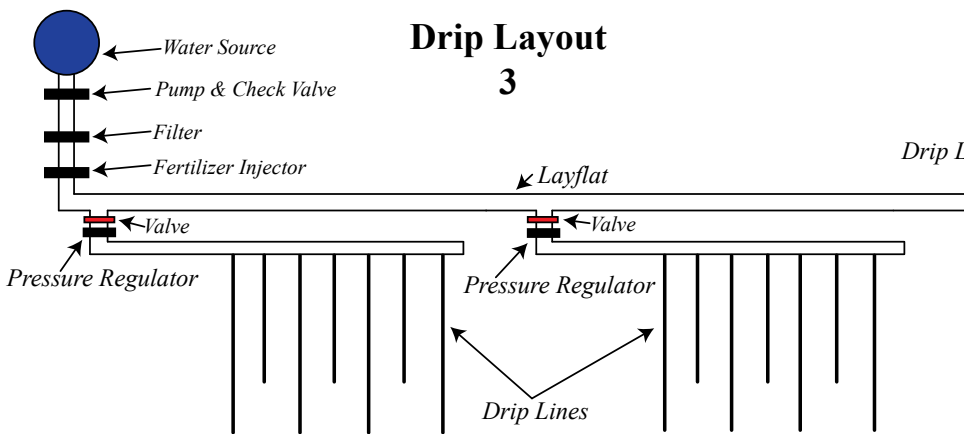
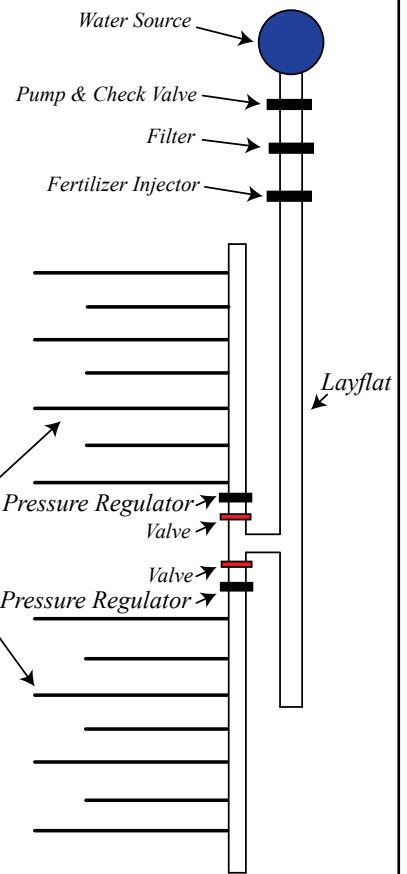
# Typical Drip System Layouts



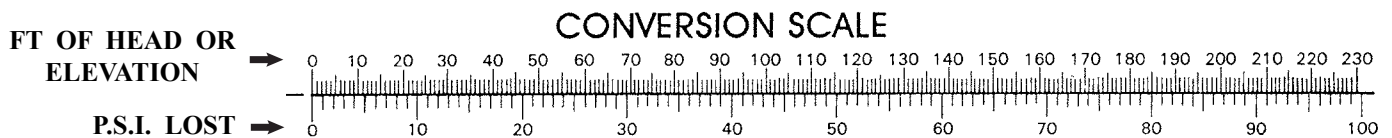
\*Manifolds with Pressure Regulators & Valves on Page 30

\*Drip Line Fittings on Page 12

## Drip Layout 2



HANDY ELEVATION SCALE. CAN ALSO BE USED FOR WELL DEPTH.



## SURFACE WATER CHLORINATION

For best results, if using surface water you should Chlorinate your system every two weeks. Inject approximately ½ gal. chlorine bleach per acre. Run system about 20 minutes then let set for ½ day before irrigating again.

## HAVING TROUBLE GETTING THE HOSE OVER FITTINGS? TRY THIS...

1. Make two slits approximately 1" apart and 1" long, on each side of the hose end.
2. Lubricate the inside of the hose and the outside of the fitting and set it upright on ground.
3. Use two vise grips to clamp on the 'flaps' and wobble the hose back and forth over the fitting as shown at right.

