

---

**MODEL 345 SERIES II  
FLAT BED PLASTIC MULCH LAYER**

---

**ASSEMBLY  
INSTRUCTIONS**

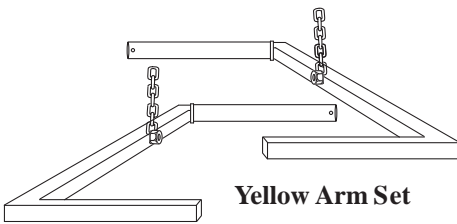
***Rain-Flo Irrigation***

929 Reading Road  
East Earl, Pa 17519  
PH: 717-445-3000

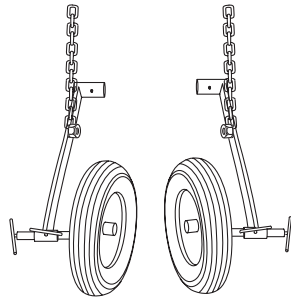
# STEP 1



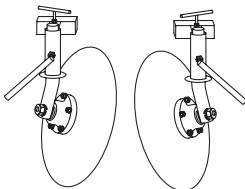
**Standard parts shipped with equipment:**



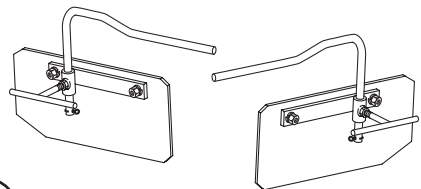
**Yellow Arm Set**



**Press Wheel Set**



**Cover Disk Set**



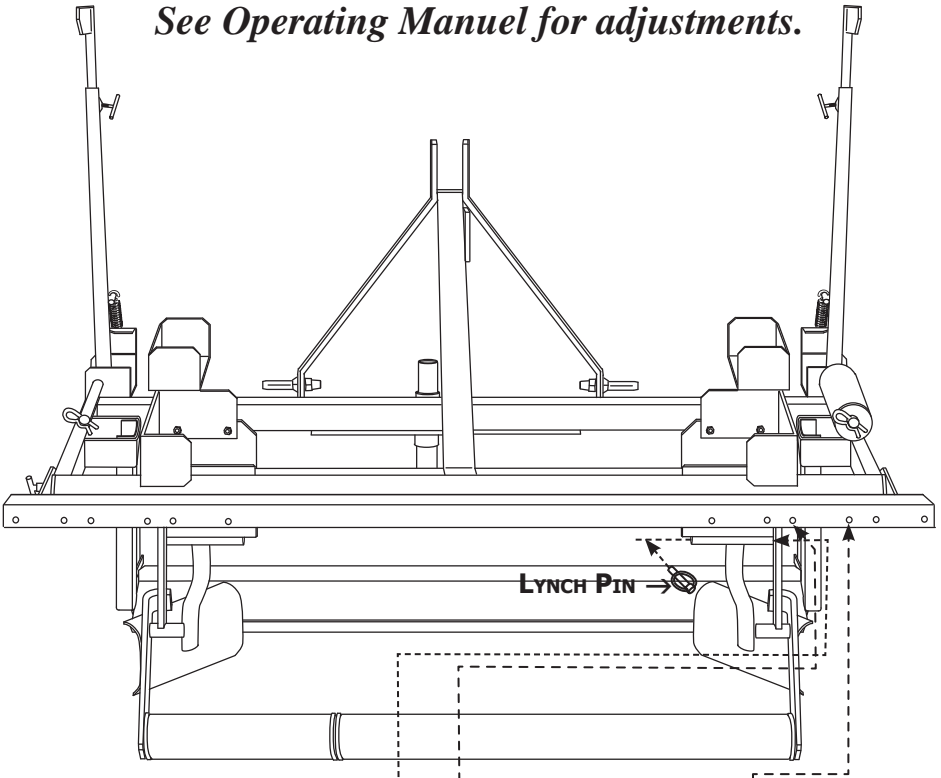
**Dirt Shield Set**

**1**

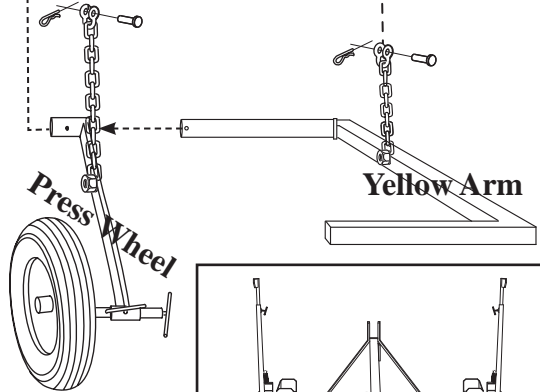
# STEP 2

## YELLOW ARMS & PRESS WHEELS

*See Operating Manual for adjustments.*



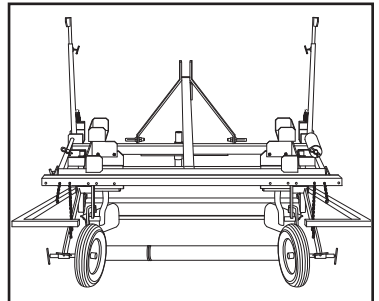
LYNCH PIN →



Press Wheel

Yellow Arm

Remove lynch pin from yellow arm and slide yellow arm through press wheel and into hinge. Fasten in place with lynch pin. Secure chain to holes as shown.

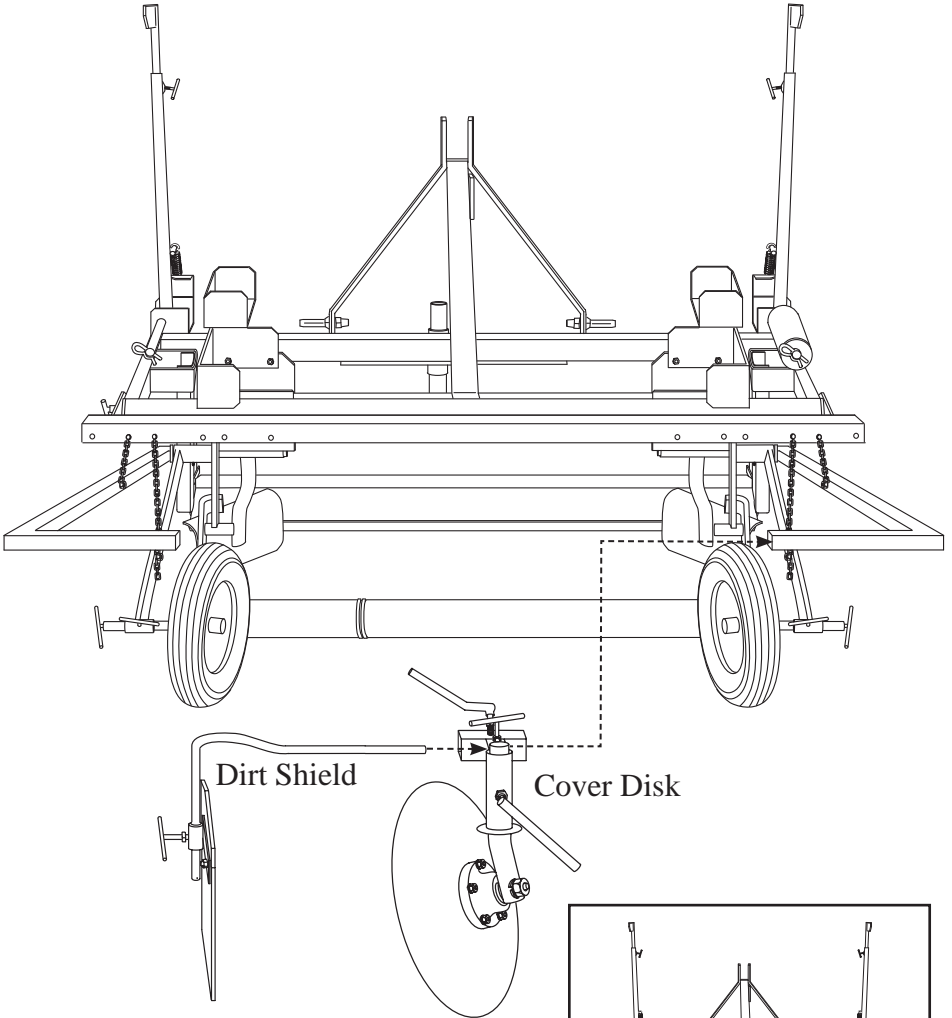


2

# STEP 3

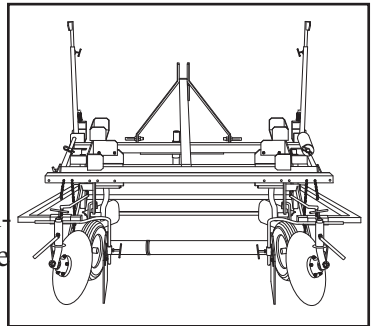
## DISKS AND DIRT SHIELDS

*See Operating Manual for adjustments.*



Slide disk bracket over end of yellow arm and tighten in place with yellow lock handle. Install dirt shield as shown, by sliding end through hole and fastening with tee lock handle.

3



# STEP 4

## TRACTOR HOOK-UP

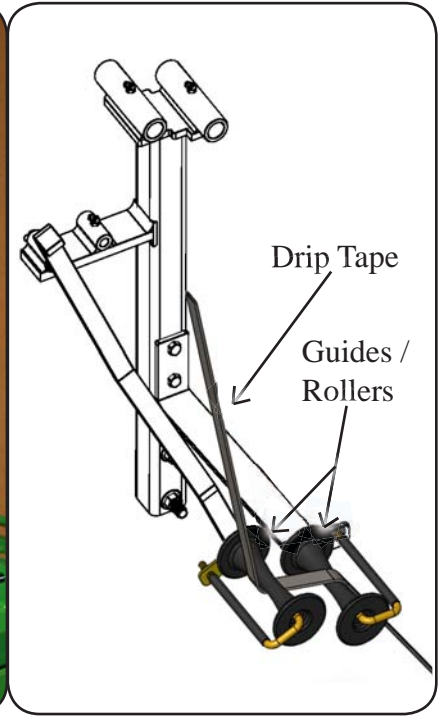
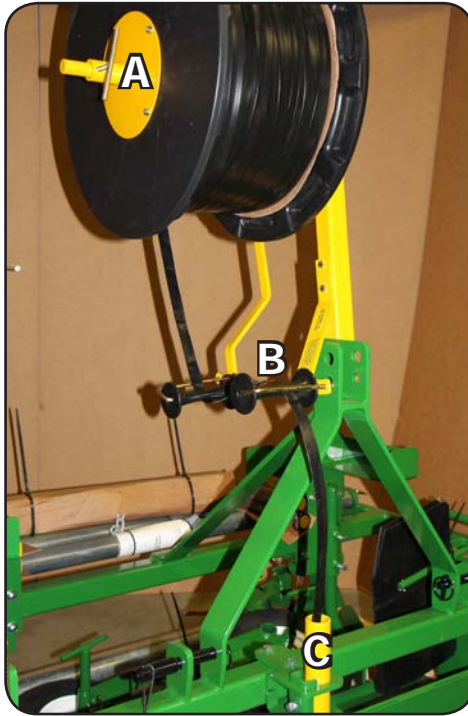


The Model 345 has category I and II lift pins (A) on a 3-point hitch. Hook up 3-point top link to top of A-frame (B) and adjust top link to level machine.

# STEP 5

## INSTALLING DRIP TAPE ROLL

*See Operating Manuel for adjustments.*



**Drip Tape:** Remove plate with locking clamp(A). Slide drip roll onto rod, press plate(A) tight against roll and tighten tee-handle on clamp. Feed drip tape through swing arm guide and stationary guide(B) (See sketch) then into down pipe(C).

**Note;** Turn drip emitters up toward plastic for less clogging, and make sure drip roll is compressed firmly between plates, for positive braking effect.

# STEP 6

## INSTALLING PLASTIC ROLLS

*See Operating Manual for adjustments.*

Adjust roll holders(A) to your plastic roll widths (see Operating Manual) and lay plastic rolls on top of rollers(B). Pull plastic end down between the two rollers and underneath the bottom roller(C). Secure plastic and drip tape at end of row. Only feed from one plastic roll at a time.





**~2015 Edition~**



**Rain-Flo Irrigation**  
(717) 445-3000